



2.5GBase-T Signal Transformer

High quality 2.5GBase-T Signal Transformer is offered by China manufacturer JASN. V24C02SQ is suitable for End-span PoE applications with 720mA current capability and support industry application.

Model:V24C02SQ

JASN as the professional manufacturer, we would like to provide you high quality 2.5GBase-T Signal Transformer. And we will offer you the best after-sale service and timely delivery.

Feature

Comply with IEEE802.3bz&802.3bt.

Comply with RoHS requirements.

Suitable for End-span PoE applications with 720mA current capability

Operating temperature range: -40°C to +85°C.

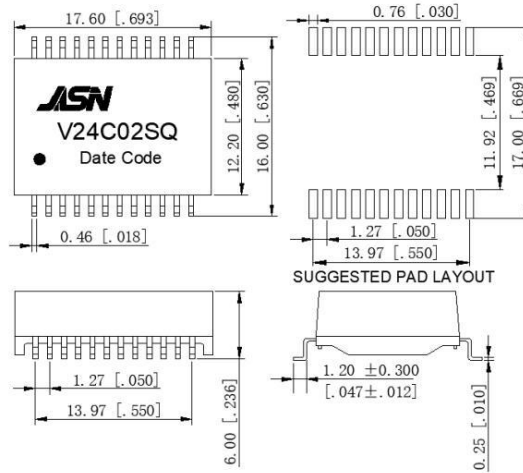
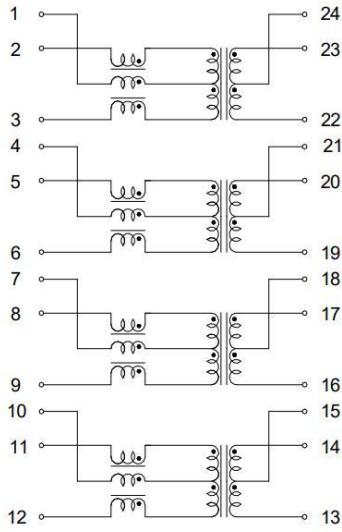
Storage temperature range: -40°C to +125°C.

Electrical Specifications @ 25°C

OCL:	120uH Min. @100KHz/0.1V with 12.5mA DC Bias
Hi-Pot :	1500Vrms
Turns Ratio:	1CT:1CT±3%
D.C.R:	1.0 ohm Max
Insertion Loss:	-1.0dB Max @1-100MHz
	-1.5dB Max @100-125MHz
Return Loss:	-16dB Min @1-40MHz
	-16+10log(f/40)dB Min @40-250MHz
Cross Talk :	-30dB Min@ 1-125MHz
CMRR:	-30dB Min@ 1-125MHz

Schematic

Mechanical



1. Unit: mm[inch]
2. Unless otherwise specified, all tolerances are ±0.25[01]
3. Coplanarity:0.1[004]Max